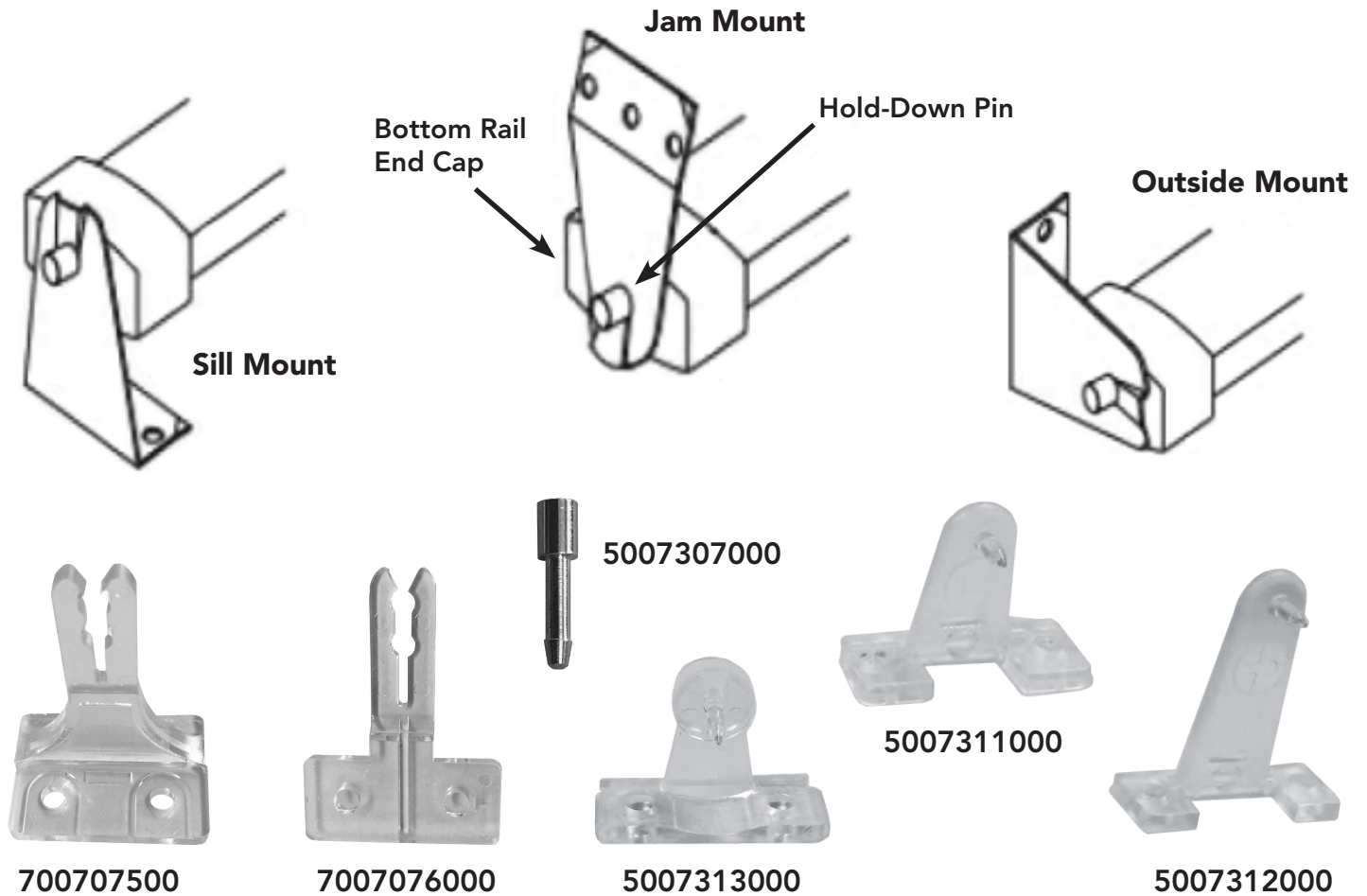


ALUMINUM BLINDS *collection*

Attach Hold-Down Brackets (Optional) Metal Hold Down Brackets

- Insert a hold-down pin into each of the bottom rail end caps.
- Attach the hold-down brackets to the jamb, sill, or outside mounting surface. When the blind is fully lowered, the holes in the hold-down brackets must align with the pins in the bottom rail end caps.
- Insert the pins into the holes in the hold-down brackets.

Note: Bottom rail end caps have a “dimple” on the end where the hold down bracket will be inserted.



Part	Blind	UM	Part Number
2-in hold down bracket (jamb)	M2	EA	92-7007076000
2-in hold down bracket (sill)	M2	EA	92-7007075000
1-in hold down bracket	T6 / T8 / D8	EA	92-5007311000
1-in hold down bracket (sill)	B6	EA	92-5007313000
1-in hold down bracket (jamb)	B6	EA	92-5007312000
hold down pin	B6 / T6 / T8 / D8 / M2	EA	92-5007307000



Tel: 800-888-6680
vistaproducts.com